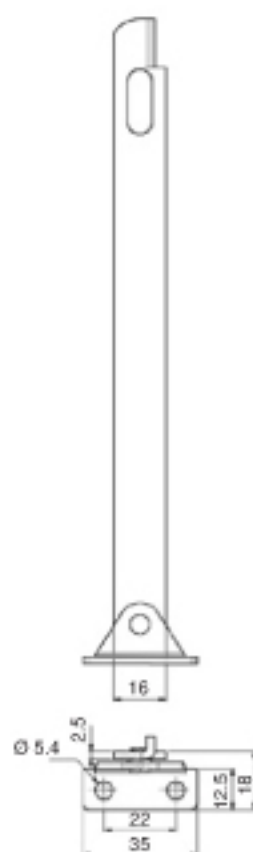
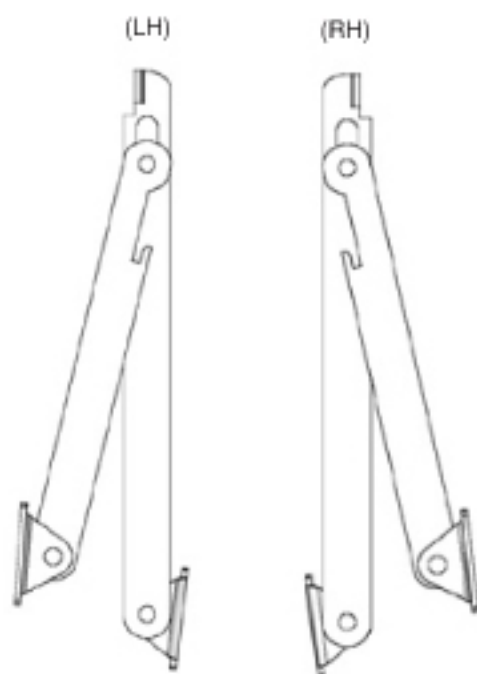


L
292
202
135



### APLICACIONES

Electric panels, machinery covers

### MATERIAL

STEEL : St 37 (16 x 2.5 rectangular n

FINISH : Zinc plated